

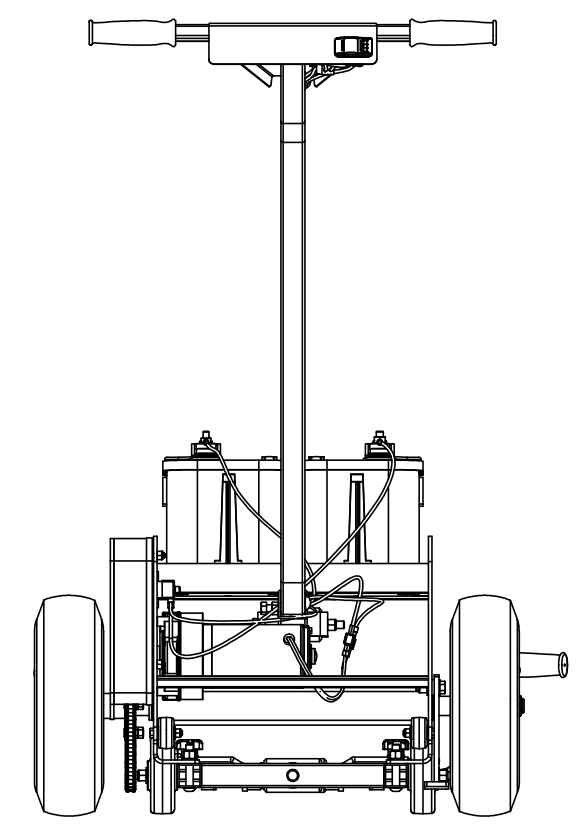
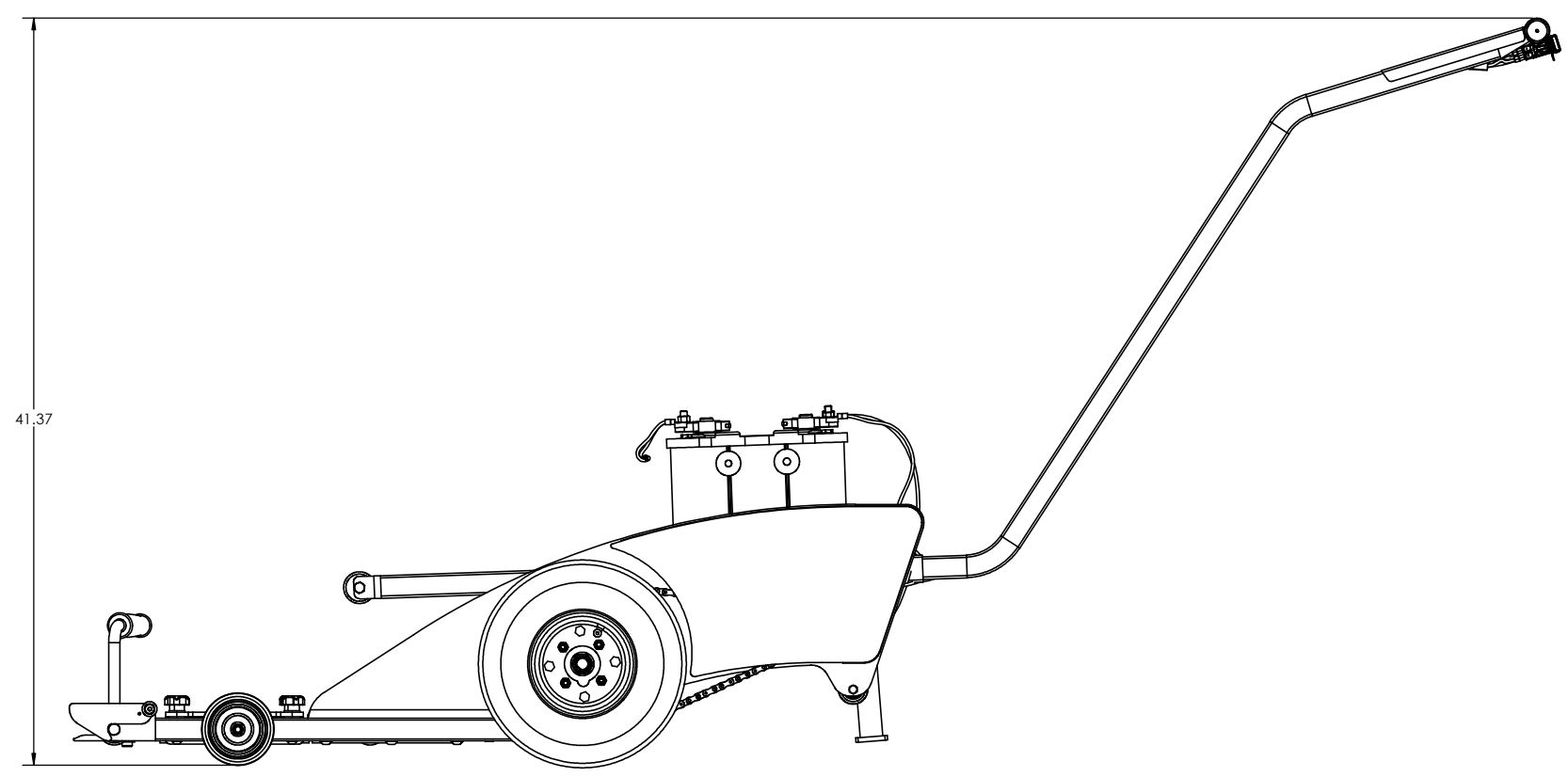
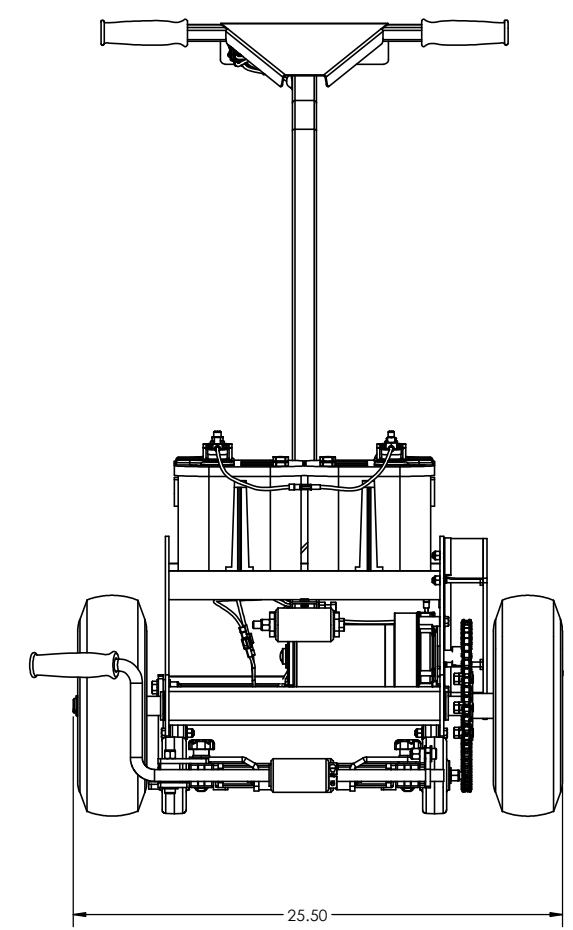
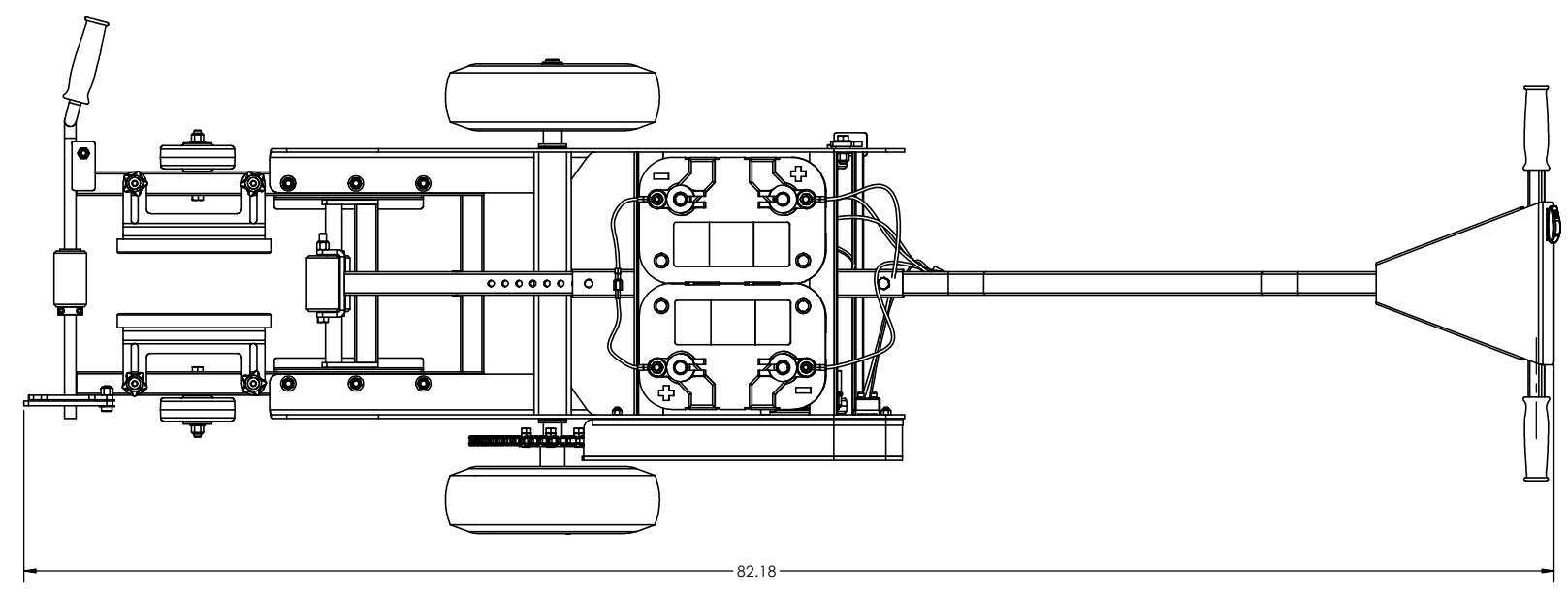
OPTIMA D34-78  
SHOWN FOR REFERENCE

REVISIONS				
ZONE	REV.	DESCRIPTION	DATE	APPROVED

3D MATH DATA AVAILABLE	BREAK ALL SHARP EDGES UOS			
	FINISH	THIRD ANGLE PROJECTION	TITLE	
	FINISH NOTE		24V NOSE-PICKER HEAVY DUTY (24NPHD)	
	HEAT TREAT	DES.	PART NUMBER	
WEIGHT	DHL	102-10003-000-0	DATE	SCALE
152.50 lbs	UNLESS OTHERWISE SPECIFIED DIMENSIONS ARE IN INCHES	10/15/2018	1:4	
SURFACE AREA	DECIMALS: 3 ± .1	DRAWING NUMBER	SIZE	SHEET
7798.13 SQ IN.	TOLERANCES ARE: .01" .015" .030"	102-10003-000-0	D	1 OF 8

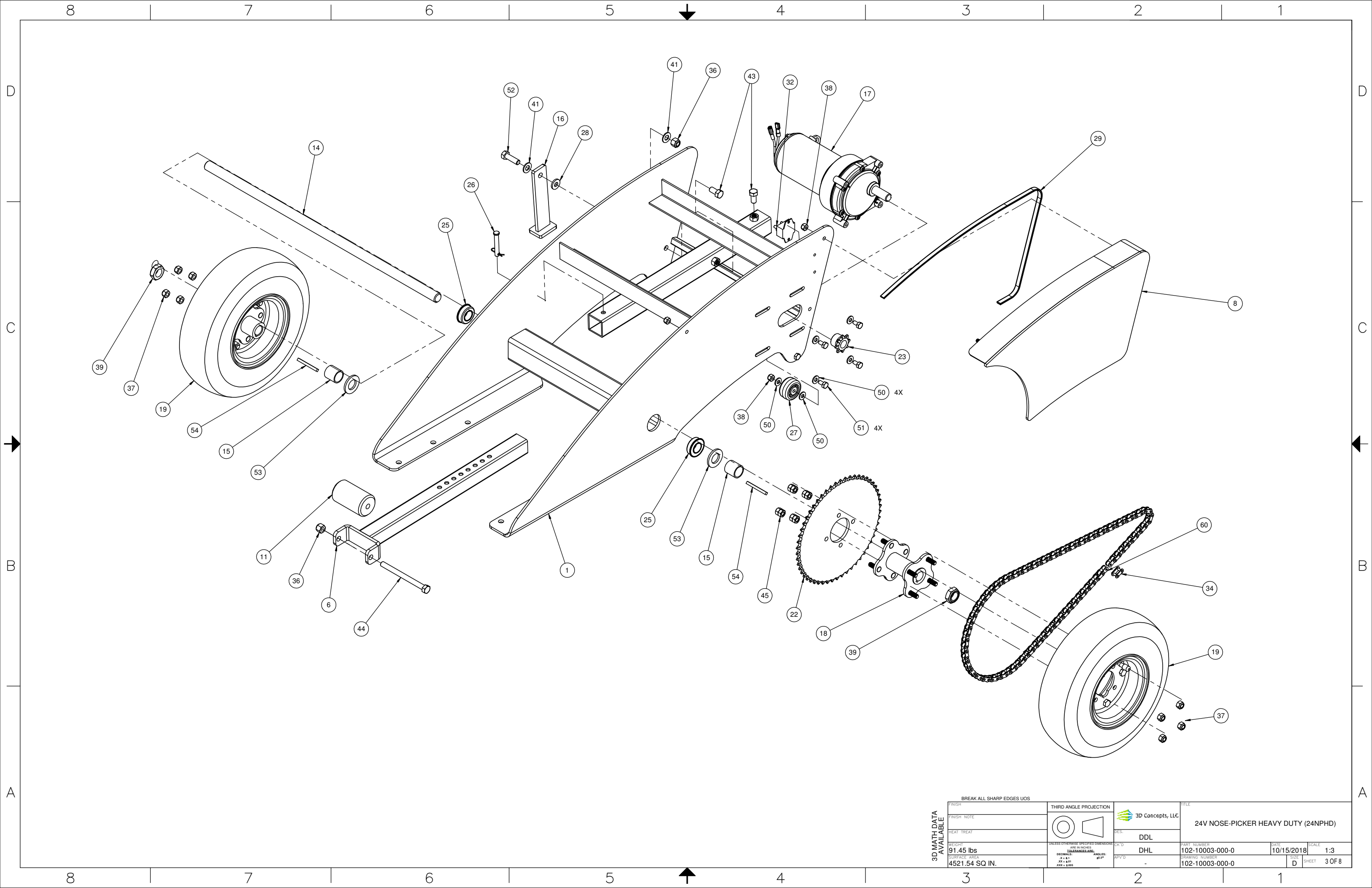
8 7 6 5 4 3 2 1

D  
C  
B  
A



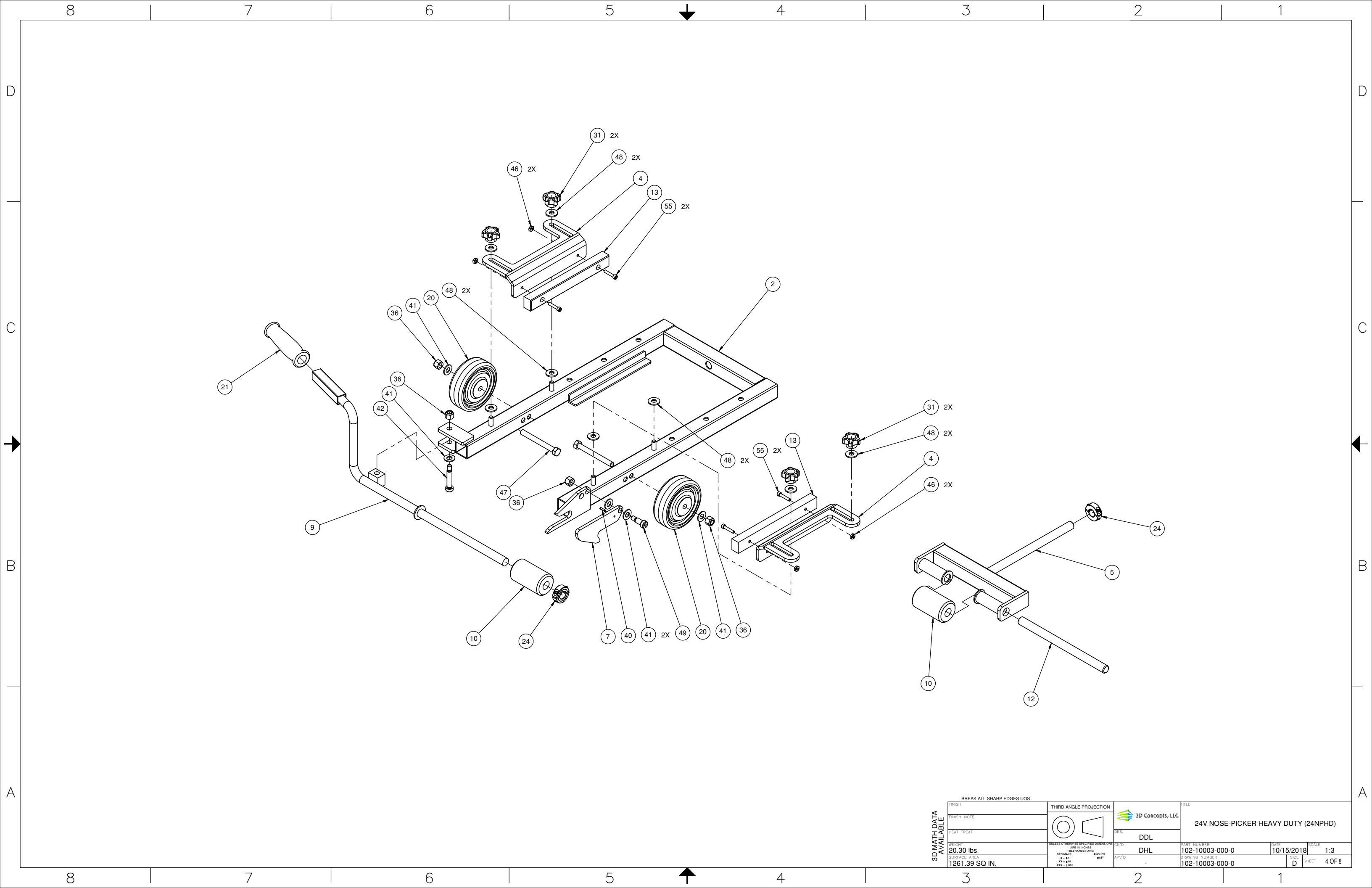
8 7 6 5 4 3 2 1

3D MATH DATA AVAILABLE	BREAK ALL SHARP EDGES UOS		THIRD ANGLE PROJECTION		TITLE					
	FINISH NOTE				24V NOSE-PICKER HEAVY DUTY (24NPHD)					
	HEAT TREAT			DES. DDL	3D Concepts, LLC					
	WEIGHT	152.50 lbs		DHL	PART NUMBER	102-10003-000-0	DATE	10/15/2018	SCALE	1:5
SURFACE AREA	7798.13 SQ IN.				DRAWING NUMBER	102-10003-000-0	SIZE	D	SHEET	2 OF 8

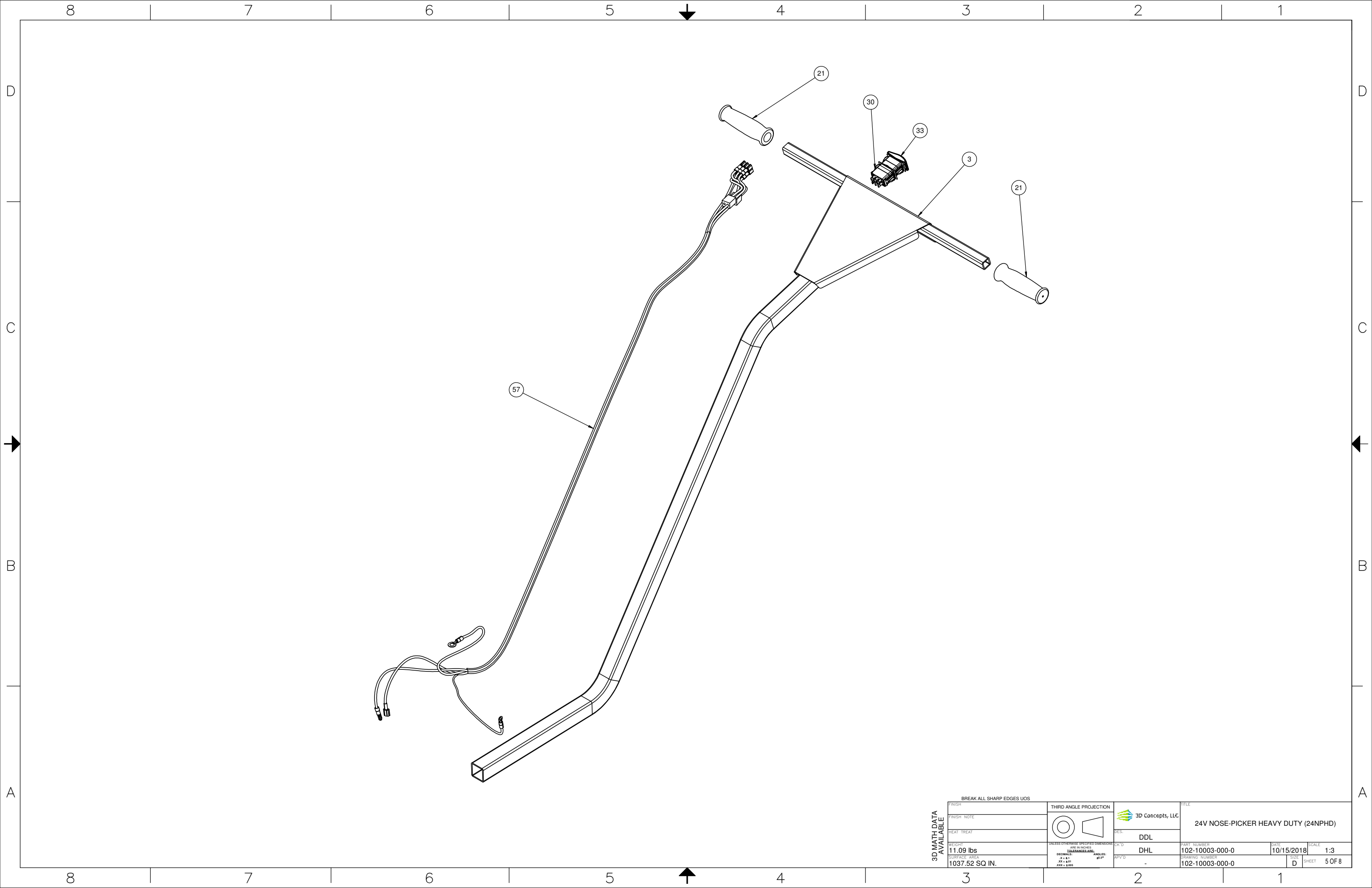


BREAK ALL SHARP EDGES UOS

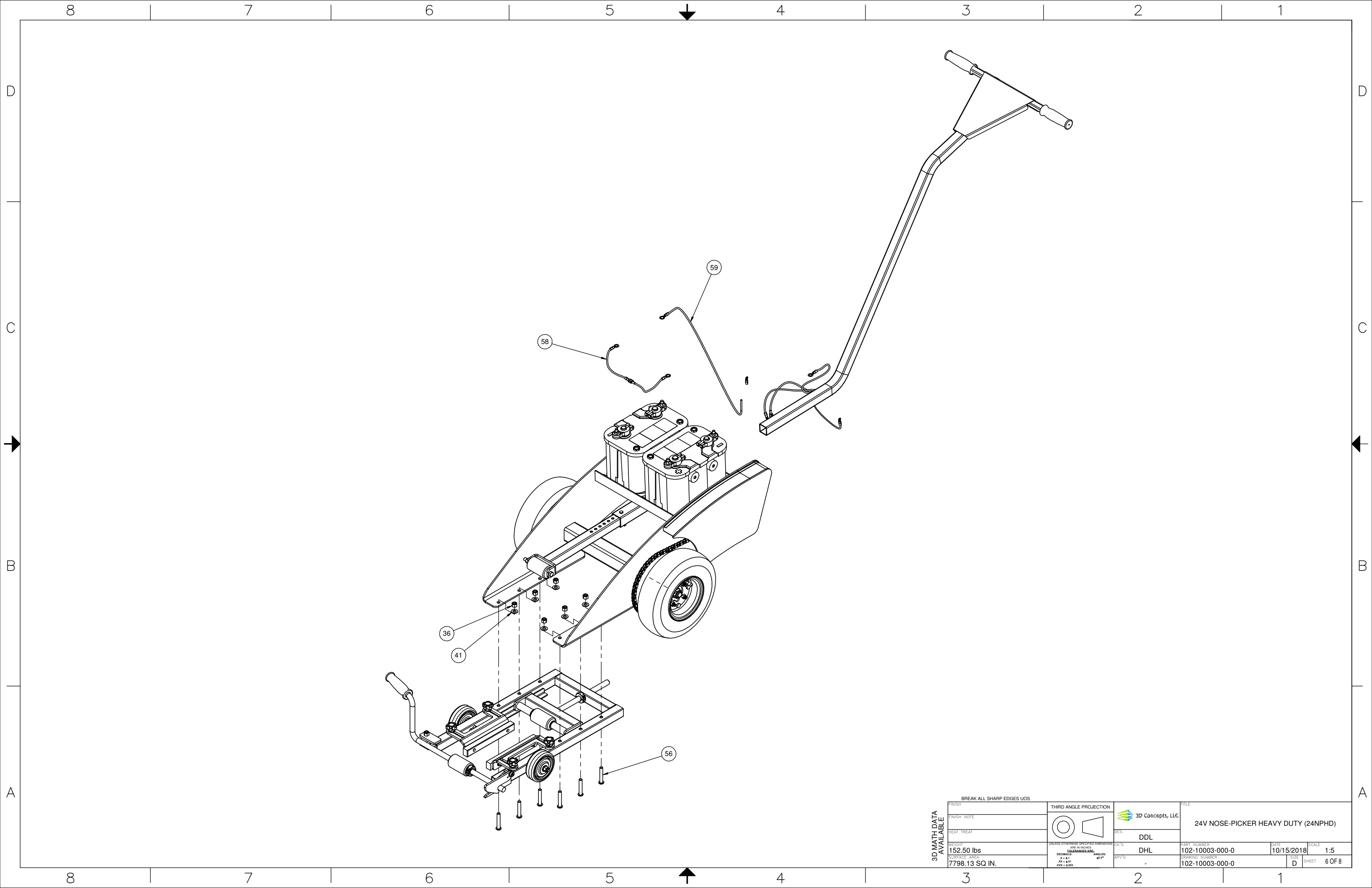
3D MATH DATA AVAILABLE	FINISH NOTE	THIRD ANGLE PROJECTION	TITLE		
	HEAT TREAT		3D Concepts, LLC		
	WEIGHT 91.45 lbs	UNLESS OTHERWISE SPECIFIED DIMENSIONS ARE IN INCHES	DES. DDL	24V NOSE-PICKER HEAVY DUTY (24NPHD)	
	SURFACE AREA 4521.54 SQ IN.	TOLERANCES ARE: DECIMALS: ±.01 XX ±.001 XXX ±.0005	APV/D -	PART NUMBER 102-10003-000-0	DATE 10/15/2018
			DRAWING NUMBER 102-10003-000-0	SIZE D	SHEET 3 OF 8



3D MATH DATA AVAILABLE	BREAK ALL SHARP EDGES UOS				THIRD ANGLE PROJECTION		TITLE	
	FINISH NOTE		DES.		3D Concepts, LLC		24V NOSE-PICKER HEAVY DUTY (24NPHD)	
	HEAT TREAT		DDL		PART NUMBER		DATE	
	WEIGHT 20.30 lbs		DHL		102-10003-000-0		10/15/2018	
SURFACE AREA 1261.39 SQ IN.		UNLESS OTHERWISE SPECIFIED DIMENSIONS ARE IN INCHES		TOLERANCES ARE:		SCALE		
		DECIMALS: ±0.01		ANGLES: ±1°		1:3		
		XX ±0.01		XXX ±0.005		SIZE		
				APV/D		SHEET		
				-		4 OF 8		



3D MATH DATA AVAILABLE	BREAK ALL SHARP EDGES UOS			
	FINISH	THIRD ANGLE PROJECTION	TITLE	
	FINISH NOTE		24V NOSE-PICKER HEAVY DUTY (24NPHD)	
	HEAT TREAT	DES.	DDL	
WEIGHT	UNLESS OTHERWISE SPECIFIED DIMENSIONS ARE IN INCHES	DES.	PART NUMBER	DATE
11.09 lbs	TOLERANCES ARE:	DHL	102-10003-000-0	10/15/2018
SURFACE AREA	DECIMALS: .XX ± .01	API/D	DRAWING NUMBER	SCALE
1037.52 SQ IN.	ANGLES: 90°	-	102-10003-000-0	1:3
			SIZE	SHEET
			D	5 OF 8



3D MATH DATA AVAILABLE	BREAK ALL SHARP EDGES UOS			
	FINISH	THIRD ANGLE PROJECTION	TITLE	
	FINISH NOTE		24V NOSE-PICKER HEAVY DUTY (24NPHD)	
	HEAT TREAT	DES.	DDL	
WEIGHT	UNLESS OTHERWISE SPECIFIED DIMENSIONS ARE IN INCHES	CHK'D	PART NUMBER	DATE
152.50 lbs	TOLERANCES ARE:	DHL	102-10003-000-0	10/15/2018
SURFACE AREA	DECIMALS: .XX ± .01	API'D	DRAWING NUMBER	SCALE
7798.13 SQ IN.	ANGLES: 90°	-	102-10003-000-0	1:5
			SIZE	SHEET
			D	6 OF 8

4

3

2

1

D

D

C

C

B

B

A

A

ITEM NO.	DESCRIPTION	PARTS LIST/QTY.
1	UPPER CHASSIS	1
2	LOWER CHASSIS	1
3	HANDLE	1
4	GUIDE BRACKET	2
5	SLIDE CARRIAGE	1
6	TUBE CARRIAGE	1
7	LATCH	1
8	CHAIN GUARD	1
9	SWING GATE	1
10	LOWER ROLLER	2
11	UPPER ROLLER	1
12	ROLLER SHAFT	1
13	PAD	2
14	DRIVE SHAFT	1
15	SPACER	2
16	KICKSTAND	1
17	MOTOR	1
18	WHEEL HUB	1
19	WHEEL	2
20	CASTER	2
21	GRIP	3
22	SPROCKET	1
23	SPROCKET	1
24	SHAFT COLLAR	2
25	BEARING	2
26	PIN	1
27	WHEEL	2
28	WASHER	1
29	TRIM	1
30	SWITCH	1

ITEM NO.	DESCRIPTION	PARTS LIST/QTY.
31	HAND KNOB	4
32	BREAKER	1
33	SWITCH COVER	1
34	LINK	1
35	BREAKER BOOT	1
36	NUT	12
37	NUT	8
38	NUT	5
39	NUT	2
40	PIN	1
41	WASHER	13
42	BOLT	1
43	SCREW	2
44	SCREW	1
45	NUT	8
46	NUT	4
47	SCREW	2
48	WASHER	8
49	BOLT	1
50	WASHER	8
51	SCREW	4
52	SCREW	1
53	WASHER	2
54	KEY	2
55	SCREW	4
56	SCREW	6
57	MAIN WIRE HARNESS	1
58	BATTERY CONNECTOR	1
59	BREAKER WIRE	1
60	CHAIN	1

BREAK ALL SHARP EDGES UOS

3D MATH DATA AVAILABLE	FINISH	THIRD ANGLE PROJECTION	3D Concepts, LLC	
	FINISH NOTE		DES. DDL	TITLE
	HEAT TREAT	UNLESS OTHERWISE SPECIFIED DIMENSIONS ARE IN INCHES	CK'D DHL	PART NUMBER
	WEIGHT lbs	DECIMALS: .X = ±.1 .XX = ±.01 .XXX = ±.005	APV'D -	DATE 10/15/2018
SURFACE AREA SQ IN.	TOLERANCES ARE: ANGLES: ±0.5°	DRAWING NUMBER 102-10003-000-0	SCALE 1:5	SHEET 7 OF 8

4

3

2

1